

## Booster B-xxx400

®

## Operating Instructions



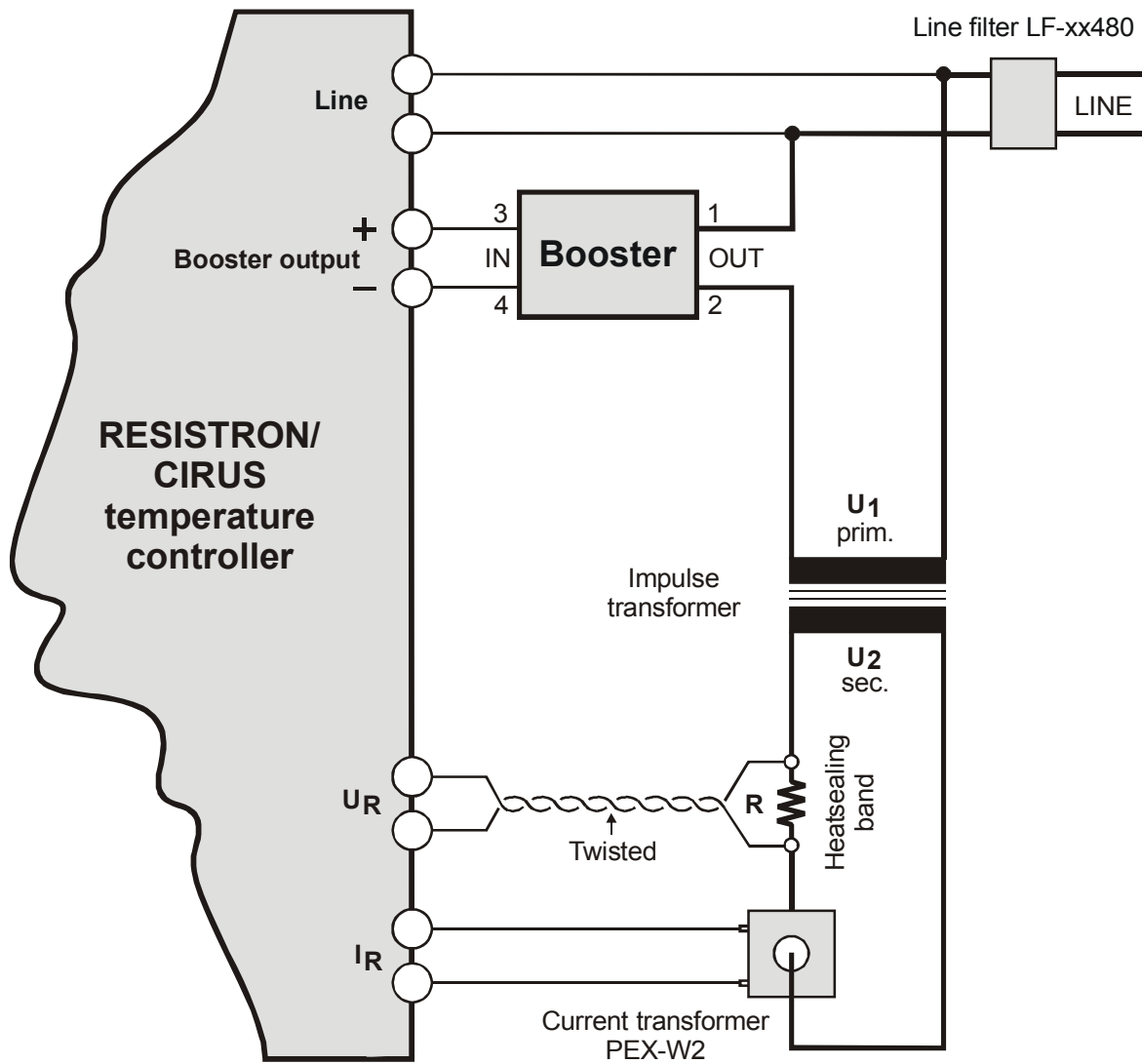
RESISTRON/CIRUS temperature controllers can process very high peak and continuous currents on the primary side as standard. External switching amplifiers (Booster types B-075400 and B-100400) can be supplied for higher currents.

**⚠ The information provided in the latest version of the controller documentation and in the ROPEX Application Report should be heeded when using a B-xxx400 Booster, in order to avoid malfunctions.**

## Technical data

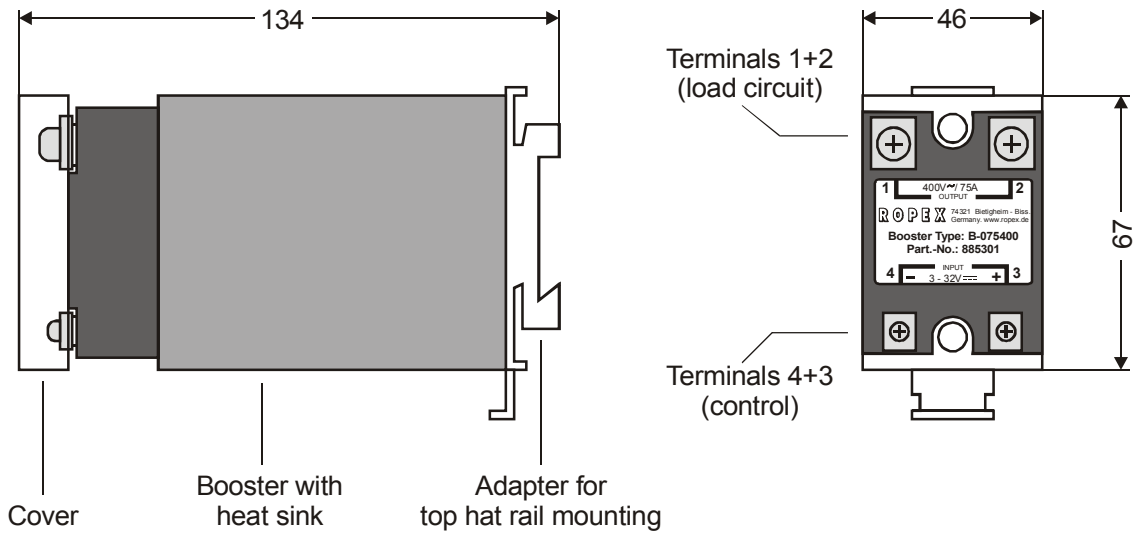
	B-075400	B-100400
<b>Type of construction</b>	Switching amplifier with heat sink for installation in the electrical cabinet Snaps onto a standard top hat rail (DIN TS35 rail, 35mm) acc. to DIN EN 50022	
<b>Size</b>	Dimensions: 46 x 67 mm Depth: 134mm (incl. cover)	Dimensions: 72 x 75 mm Depth: 142mm (incl. cover)
<b>Weight</b>	Approx. 0.5kg	Approx. 1.1 kg
<b>Load current</b> Terminals 1+2	75A peak current 25A continuous current	100A peak current 50A continuous current
<b>Load voltage</b> Terminals 1+2	115VAC - 15% ... 415VAC + 10% (98...456VAC)	
<b>Control</b> Terminals 3+4	RES-401/-402: RES-403/-407/-408/-409: RES-406: RES-415/-420/-440/-445: LPT-640: UPT-640:	Not available Via modification 26 (MOD 26) As standard, refer to controller documentation As standard, refer to controller documentation As standard, refer to controller documentation As standard, refer to controller documentation
<b>Degree of protection</b>	IP00	
<b>Ambient temperature</b>	+5...+45°C	
<b>Connecting cables</b> Type / cross-sections	Terminals 1+2 (load circuit): Terminals 3+4 (control):	Screw terminals, diameter 4.1 mm Screw terminals, diameter 3.5mm
<b>Power dissipation</b>	max. 40W	max. 70W

Wiring diagram

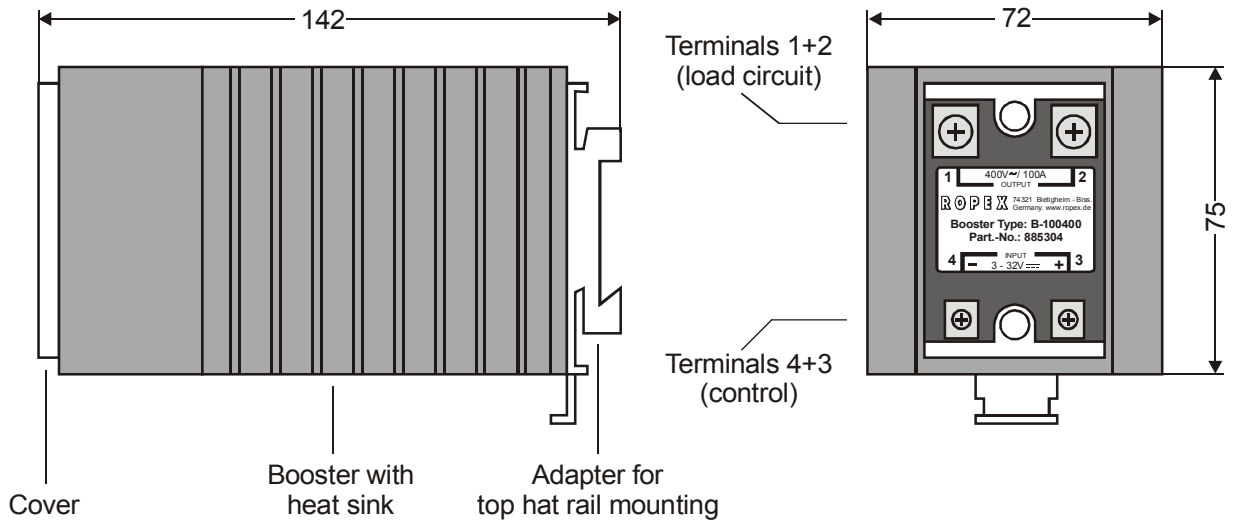


## Dimensions

### B-075400



### B-100400



## How to order



### Switching amplifier (Booster)

B-075400 ( 75A, 400VAC): Art. No. 885301

B-100400 (100A, 400VAC): Art. No. 885304