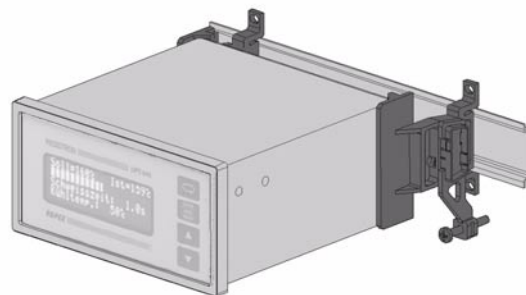


HS-ADAPTER-01^{GB}

Operating Instructions



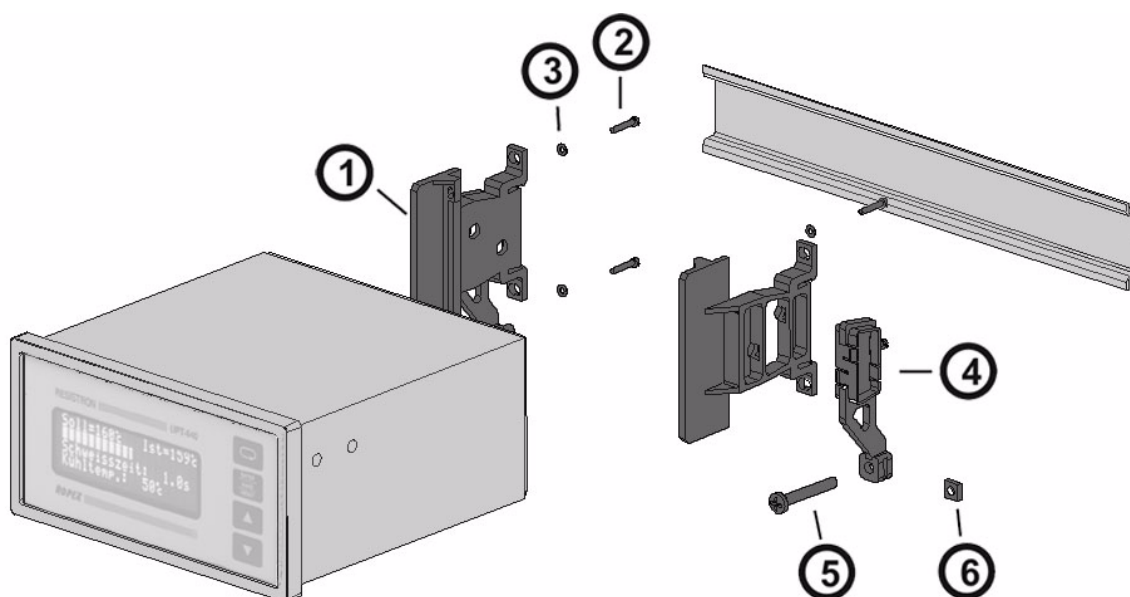
The HS-ADAPTER-01 is used to mount RESISTRON or CIRUS panel mounted controllers (housing dimensions W x H: 144mm x 72mm) onto a vertical panel. This is very convenient when mounting the controller

within a control panel. The adapter kit is designed to be used in attaching the controller to a top hat rail (DIN-rail TS35) or directly to a panel or wall. It must first be attached to the controller as described below.

Parts list

The kit consists of::

Pos.	Part	Qty.
1	Bracket	2
2	Screw M2,0 x 12	4
3	Washer M2,0	4
4	Support	2
5	Mounting screw	2
6	Mounting screw nut	2



23.8.02

Mounting on top hat rail (DIN-rail TS35)

⚠ Installation and operation may only be carried out by trained personnel, provided that they know the risks and the warranty terms.

1. Turn off power supply and remove all push-on connectors from the back of the controller.
2. Attach mounting screw (5) and nut (6) to support (4).
3. Snap the support (4+5+6) into the bracket (1).
4. Remove two back panel screws from one side of the controller taking care that the back panel remains in place (Keep the back panel screws).

⚠ The attachment of the bracket requires that the back panel screws must be removed without removing the back panel. Removal of the back panel will void any warranty.

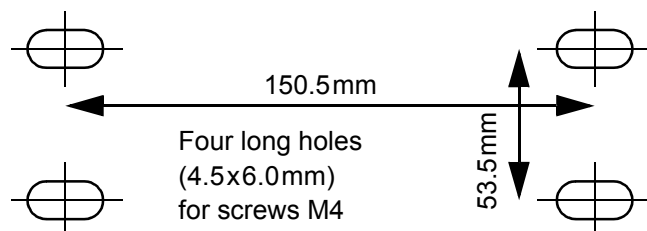
5. Attach the bracket/support assembly to this side of the controller using screws (2) and washers (3).
6. Repeat this process on the opposite side of the controller.
7. Re-attach the push-on connectors to the back of the controller.
8. Mount the controller onto the top hat rail (DIN-rail TS35) and fasten with the mounting screws (5) to assure that the controller cannot move.

⚠ Take care that there is no interference with the push-on connectors before tightening the mounting screws to avoid damaging of the cables.


9. Check complete performance of controller.

Wall mounting

The mounting holes on the end of the adapter can be used for attaching the controller directly to a wall or panel. Follow the installation requirements described in chapter „Mounting on top hat rail“.



How to order

	<p>HS-ADAPTER-01 Adapter for top hat rail (DIN-rail TS35) Art.no. 887001</p>
---	---